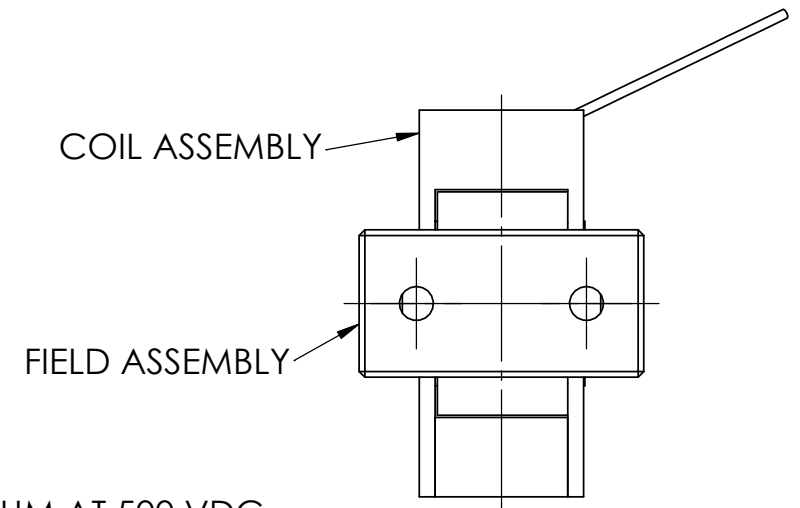
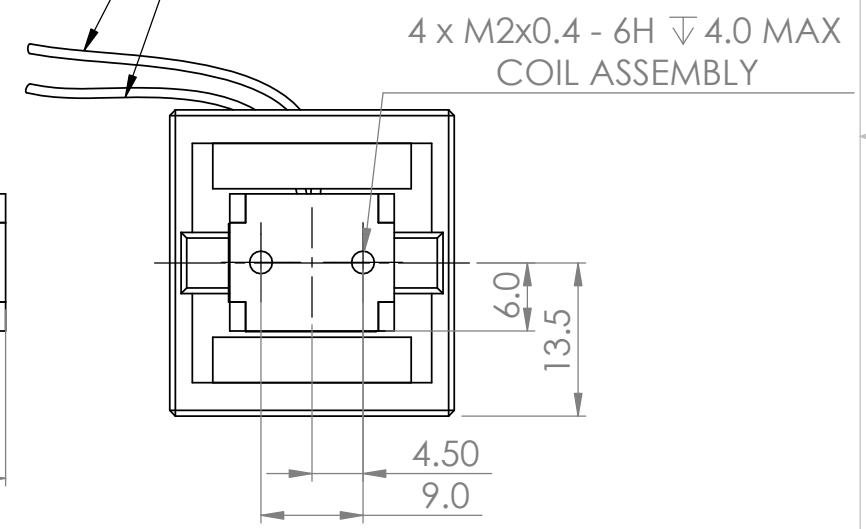
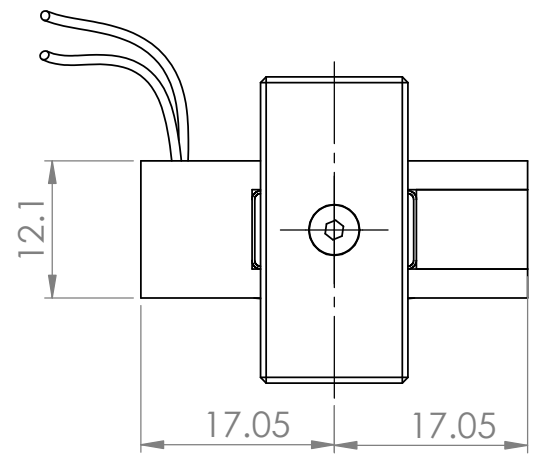
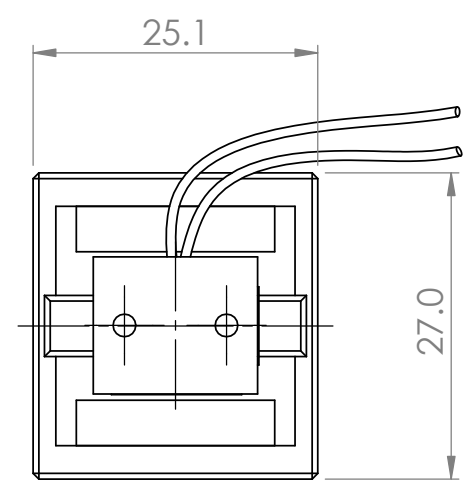
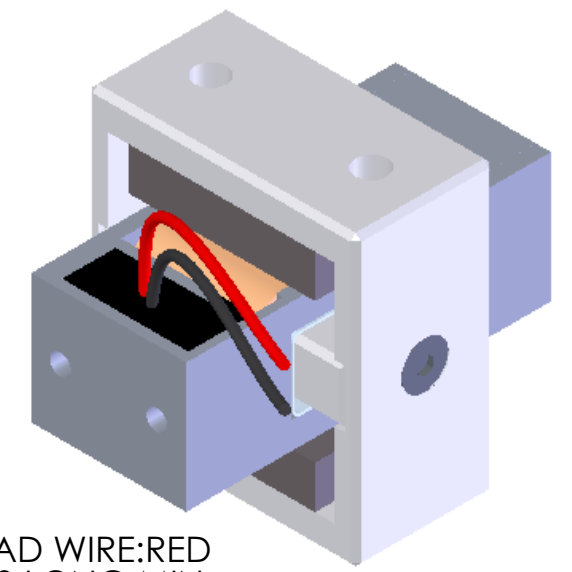
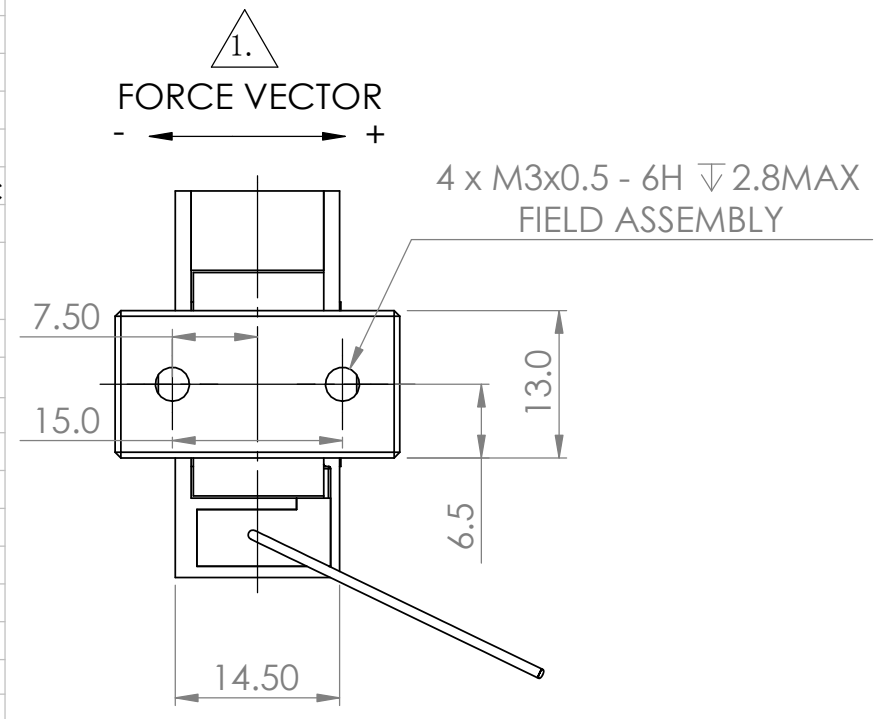


WINDING CONSTANT	TOL	SYM	VALUE	UNITS
DC RESISTANCE	± 10%	R	10.0	OHMS
VOLTAGE @ Fp	NOMINAL	Vp	13.3	VOLTS
CURRENT @ Fp	NOMINAL	Ip	1.3	AMPS
FORCE SENSITIVITY	± 10%	Kf	4.6	N / A
BACK EMF CONSTANT	NOMINAL	Kb	4.6	V/M/Sec
INDUCTANCE*****	± 30%	L	2.0	mH

ACTUATOR PARAMETER	SYM	VALUE	UNITS
PEAK FORCE *	Fp	6.1	N
CONTINUOUS FORCE **	Fc	3.2	N
CONTINUOUS FORCE WITH HEAT SINK	Fc	5.3	N
ACTUATOR CONSTANT	Ka	1.45	N/A
ELECT TIME CONSTANT	Te	0.2	milli-sec
POWER I ² R@Fp	Pp	17.5	W
TOTAL STROKE	S	3.0	mm
CLEARANCE ON SIDE OF COIL	CL	0.5	mm
THERMAL RESISTANCE ***	θth	25.3	C / W
THERMAL RESISTANCE WITH HEAT SINK****	θth	9.2	C / W
MAX WINDING TEMP	Tmax	150	C
WEIGHT OF COIL ASSEMBLY	WTc	18.2	g
WEIGHT OF FIELD ASSEMBLY	Wtf	47	g
WEIGHT OF ACTUATOR	WTa	65.2	g

* 10 sec @ 25C ambient, 150C coil temp.
 ** 25C ambient, 150C coil temp.
 *** In free air.
 **** Measured with 250×250×10mm heat sink.
 ***** Measured with TONGHUI TH2821A.

REV	ECO NO.	DESCRIPTION	DRN	APP'D	Q.A	DATE
X1	---	INITIAL RELEASE	BWZ	WYG	LBQ	07-12-13



UNLESS OTHERWISE SPECIFIED:
 DIMENSIONS ARE IN MM
 TOLERANCES:
 ANGULAR: MACH ±0° 30'
 ONE PLACE DECIMAL ±0.25
 TWO PLACE DECIMAL ±0.1

INTERPRET GEOMETRIC TOLERANCING PER:
 ANSI Y14.5M-1982.

DO NOT SCALE DRAWING

PROPRIETARY AND CONFIDENTIAL
 THE INFORMATION CONTAINED IN THIS DRAWING IS THE SOLE PROPERTY OF USAS MOTION - SUZHOU, CHINA. ANY REPRODUCTION IN PART OR AS A WHOLE WITHOUT THE WRITTEN PERMISSION OF USAS MOTION - SUZHOU, CHINA IS PROHIBITED.

NAME	DATE
BWZ	07-08-24
WYG	07-08-24
LBQ	07-08-24

usas motion Suzhou, China

TITLE:
LINEAR ACTUATOR

SIZE	DWG. NO.	REV
B	VLS0006-0030-00A	X1

SCALE: 1.5:1 SHEET 1 OF 1

2.INSULATION RESISANCE:100 MEGOHMS MINIMUM AT 500 VDC.
 1.A POSITIVE(+)VOLTAGE APPLIED TO THE RED LEAD WILL PRODUCE A FORCE ON THE COIL ASSEMBLY IN POSITIVE (+) DIRECTION.
 NOTES:UNLESS OTHERWISE SPECIFIED